

BORREGO SPRINGS**BORREGO VALLEY** (LØ8) 3 E UTC-8(-7DT) N33°15.54' W116°19.26'

LOS ANGELES

522 B NOTAM FILE SAN

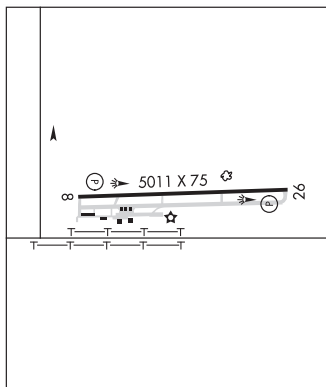
H-41, L-41

RWY 08-26: H5011X75 (ASPH) S-30, D-54, 2D-90 MIRL

IAP

RWY 08: PAPI(P2L)—GA 3.0° TCH 28'. Rgt tfc.**RWY 26:** PAPI(P2L)—GA 3.0° TCH 28'.**SERVICE:** FUEL 100LL LGT ACTIVATE MIRL Rwy 08-26, twy lghts—CTAF (5 clicks on). Rwy 08 VGSI unusable byd 3.0 NM due to terrain.**NOISE:** Noise sensitive area N-NW. Do not overfly elementary school 1 NM west of arpt.**AIRPORT REMARKS:** Attended 1600-0000Z±. Coyotes and migratory birds ocnlly on or invof arpt. Fuel self svc 24 hr. Be aware of frequent changes in wind direction, strong up/down drafts and turbulence possible during high wind conditions. Aerobatic box north side of arpt dur dalgt hrs from stc to 5000' MSL, check NOTAMs for act. 140' twr 1600' north of Rwy 08. Rwy 08 has 400' blast pad byd end of rwy. During hot wx heavy acft parking restricted conc pads on outer transient ramp. All acft tfc pat to south. Transient tie-down ramp restricted to acft with wingspan 40 ft or less. Acft with greater than 40 ft wingspan park on portion of transien ramp east of A6. Hovers, skid landings, auto-rotations prohibited. PPR for all mil acft, ctc arpt manager. Military rotorcraft ops restricted to remain on or over pavement area, TGL restricted to rwy.**AIRPORT MANAGER:** (760) 767-7415**WEATHER DATA SOURCES:** AWOS-3P 126.575 (760) 767-3308.**COMMUNICATIONS:** CTAF/UNICOM 122.8

® L.A. CENTER APP/DEP CON 128.6

CLEARANCE DELIVERY PHONE: For CD ctc Los Angeles ARTCC at 661-575-2079.**RADIO AIDS TO NAVIGATION:** NOTAM FILE SAN.**JULIAN (L) VORTACW** 114.0 JLI Chan 87 N33°08.43' W116°35.16' 047° 15.1 NM to fld. 5560/15E.**COMM/NAV/WEATHER REMARKS:** UNICOM staffed 1600-0000Z±. Acft must self-announce on CTAF prior to ldg or tkof.**BORREGO VALLEY** (See BORREGO SPRINGS on page 98)**BRACKETT FLD** (See LA VERNE on page 150)**BRAWLEY MUNI** (BWC)(KBWC) 1 NE UTC-8(-7DT) N32°59.58' W115°31.04'

LOS ANGELES

-128 B TPA—See Remarks NOTAM FILE SAN

L-41

RWY 08-26: H4166X60 (ASPH) S-20 MIRL

IAP

RWY 08: REIL. PAPI(P2L)—GA 3.0° TCH 43'. Thld dsplcd 394'.

Railroad.

RWY 26: REIL. PAPI(P2R)—GA 3.0° TCH 43'. Thld dsplcd 160'. Rgt tfc.**SERVICE:** S4 FUEL 100LL, JET A+ LGT ACTIVATE REIL Rwy 08 and 26; MIRL Rwy 08-26; twy lights—CTAF.**AIRPORT REMARKS:** Unattended. For fuel use cardlock—continuous. After hrs on call 760-791-3743. TPA—672(800) conventional acft; 1072(1200) jet acft.**AIRPORT MANAGER:** 760-344-5800 X18**COMMUNICATIONS:** CTAF 122.9

® L.A. CENTER APP/DEP CON 128.6

CLEARANCE DELIVERY PHONE: For CD ctc Los Angeles ARTCC at 661-575-2079.**RADIO AIDS TO NAVIGATION:** NOTAM FILE IPL.**IMPERIAL (H) VORTAC** 115.9 IPL Chan 106 N32°44.93'

W115°30.51' 344° 14.6 NM to fld. -18/14E.

