

BIG BEAR CITY (L35) 0 W UTC-8(-7DT) N34°15.83' W116°51.36'
6752 B TPA-7952(1200) NOTAM FILE RAL

LOS ANGELES
H-4I, L-4H, 7C
IAP

RWY 08-26: H5850X75 (ASPH) S-12.5 MIRL
RWY 08: PAPI(P2L)—GA 4.3° TCH 29'. Thld dspcd 370'. Rgt ttc.
RWY 26: PAPI(P2L)—GA 4.3° TCH 46'. Thld dspcd 600'. Trees.

SERVICE: S4 **FUEL** 100LL, JET A **LGT** ACTIVATE MIRL Rwy
08-26—CTAF. PAPI Rwy 08 and PAPI Rwy 26 opr continuously.

NOISE: Extreme noise sensitive area, practice NS ABTMT procedures. NS
ABTMT procedures, avoid overflying of high school 1 mile east at all
times. On txf make 10° left turn at end of rwy to avoid housing to east
and elementary school to west of arpt.

AIRPORT REMARKS: Attended 1600-0100Z†. Jet A fuel avbl 1600-0000Z†,
self svc after hrs. 100LL avbl 24 hr self svc. Mountains all quadrants,
peak haz lgts SE, S, & NW.

AIRPORT MANAGER: 909-585-3219

WEATHER DATA SOURCES: AWOS-3 135.925 (909) 585-4033.

COMMUNICATIONS: CTAF/UNICOM 122.725

Ⓡ L.A. CENTER APP/DEP CON 126.35

CLEARANCE DELIVERY PHONE: For CD ctc Los Angeles ARTCC at
661-575-2079.

RADIO AIDS TO NAVIGATION: NOTAM FILE RAL.

PARADISE (H) VORTACW 112.2 PDZ Chan 59 N33°55.10'
W117°31.80' 043° 39.4 NM to fld. 1432/15E.

TACAN AZIMUTH unusable:

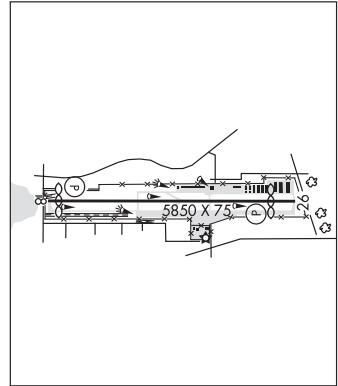
130°-145° byd 25 NM blo 5,000'
145°-190° blo 8,000'
190°-230° blo 10,000'
310°-325° byd 35 NM blo 10,900'
325°-345° byd 25 NM blo 11,500'
345°-360° byd 35 NM blo 10,500'

VOR unusable:

010°-015° byd 20 NM blo 10,000'
130°-145° byd 25 NM blo 5,000'
145°-190° blo 8,000'
145°-190° byd 25 NM blo 10,000'
145°-190° byd 39 NM blo 13,500'
190°-230° blo 10,000'
310°-325° byd 35 NM blo 10,900'
325°-345° byd 25 NM blo 11,500'
345°-360° byd 35 NM blo 10,500'

DME unusable:

130°-145° byd 25 NM blo 5,000'
145°-190° blo 8,000'
190°-230° blo 10,000'
310°-325° byd 35 NM blo 10,900'
325°-345° byd 25 NM blo 11,500'
345°-360° byd 35 NM blo 10,500'



BIG SUR N36°10.88' W121°38.53' NOTAM FILE OAK.

SAN FRANCISCO
H-4H, L-3C

(L) VORTACW 114.0 BSR Chan 87 104° 22.7 NM to Tusi AHP (Hunter Liggett). 4080/16E.

DME portion unusable:

320°-085° byd 35 NM blo 9,000'

RCO 122.2 (OAKLAND RADIO)