

TURLOCK MUNI (O15) 8 E UTC-8(-7DT) N37°29.04' W120°41.84'
 161 B TPA-961(800) NOTAM FILE RIU
RWY 12-30: H2985X50 (ASPH) S-12 LIRL(NSTD)
RWY 12: Pole.

SAN FRANCISCO

SERVICE: FUEL 100LL LGT Rwy 12-30 NSTD LIRL, lgts 20' from rwy edge. ACTIVATE LIRL Rwy 12-30 —CTAF.
AIRPORT REMARKS: Unattended. Fuel avbl 24 hrs self serve credit card.
AIRPORT MANAGER: (209) 668-5599
COMMUNICATIONS: CTAF/UNICOM 122.8
CLEARANCE DELIVERY PHONE: For CD etc NorCal Apch at 916-361-0516.

TUSI AHP (HUNTER LIGGETT) HELIPORT (HGT)(KHGT) A 3 NW UTC-8(-7DT) N35°59.61' W121°14.20'

LOS ANGELES

1017 B NOTAM FILE OAK Not insp.
HELIPAD 14-32: H570X50 (CONC) MIRL

L-3C
 DIAP

SERVICE: MILITARY—FUEL Avbl 1600-0000Z† Mon-Fri exc hol. PPR DSN 686-2403/2503. J8.
NOISE: Procedure (remain 1000' AGL) in effect outside of Ft. Hunter Liggett boundary. Acft remain clear of cantonment area, lakes and reservoirs.
MILITARY REMARKS: RSTD CLOSED to fixed wing acft. 24 hr PPR all acft. Ctc Range Con DSN 686-2403/2503, C831-386-2403/2503 for entry approval of Hunter Liggett Reservation. **CAUTION** Parking ramp/twy less than minimum clearance, exercise extreme caution, acft parked within 150' of centerline. **MISC** Tactical fixed wing airstrip (Schoonover Landing Zone) avbl for C-130 and OV-10 mil fixed wing acft only, 2 1/4 NM SE of main heliport. Fuel unavbl at Schoonover Landing Zone. All acft ctc ops/range cntrl for advsy upon entering reservation on 41.05/126.2/229.5. Ctc arpt advsy on 38.8/241.0.
COMMUNICATIONS: (R) OAKLAND CENTER APP/DEP CON 128.7 307.0
CLEARANCE DELIVERY PHONE: For CD etc Oakland ARTCC at 510-745-3380.
RADIO AIDS TO NAVIGATION: NOTAM FILE OAK.
BIG SUR (L) VORTACW 114.0 BSR Chan 87 N36°10.88' W121°38.53' 104° 22.7 NM to fld. 4080/16E.
 DME portion unusable:
 320°-085° byd 35 NM blo 9,000'

TWENTYNINE PALMS (TNP)(KTNP) 6 E UTC-8(-7DT) N34°07.90' W115°56.75'

LOS ANGELES

1888 B NOTAM FILE RAL MON Airport
RWY 08-26: H5531X75 (ASPH) MIRL 1.6% up W
RWY 08: REIL. PAPI(P2L)—GA 3.0° TCH 40'. P-line.
RWY 26: REIL. PAPI(P2L)—GA 3.0° TCH 40'.
RWY 17-35: H3797X50 (ASPH) MIRL 0.9% up S
RWY 17: P-line.
RWY 35: Hill.

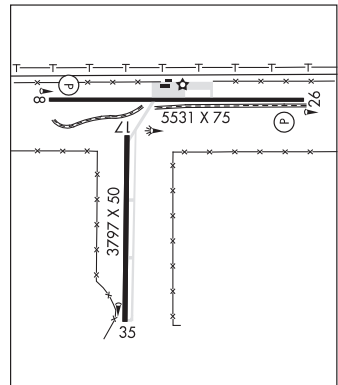
H-4I, L-4I
 IAP, DIAP

SERVICE: S2 FUEL 100LL LGT ACTIVATE MIRL Rwy 08-26 and Rwy 17-35, REIL Rwy 08 and 26—CTAF. Twy lgts on twy connecting Rwy 08-26 and Rwy 17-35, plus blue reflectors on parallel twy serving Rwy 17-35.

AIRPORT REMARKS: Unattended. Be alert for acrobatic activity south of Rwy 17-35. 100LL fuel avbl 24 hrs.

AIRPORT MANAGER: 760-247-2371
COMMUNICATIONS: CTAF/AUNICOM 122.8
RCO 122.1R 114.2T (RIVERSIDE RADIO)
 (R) L.A. CENTER APP/DEP CON 128.15

CONTINUED ON NEXT PAGE



CONTINUED FROM PRECEDING PAGE

CLEARANCE DELIVERY PHONE: For CD if una to ctc on FSS freq, ctc Los Angeles ARTCC at 661-575-2079.

RADIO AIDS TO NAVIGATION: NOTAM FILE RAL.

(L) VORTAC 114.2 TNP Chan 89 N34°06.73' W115°46.19' 263° 8.8 NM to fld. 1374/15E.

VOR unusable:

005°-035° byd 18 NM blo 6,800'
035°-065° byd 25 NM blo 6,000'
080°-095° byd 30 NM blo 6,000'
095°-150° byd 18 NM blo 6,000'
151°-170° byd 20 NM blo 7,000'
170°-190° byd 25 NM blo 9,000'
190°-245° byd 20 NM blo 7,000'
245°-260° byd 25 NM blo 7,500'
315°-330° byd 33 NM blo 6,200'
330°-345° byd 20 NM blo 6,200'
345°-005° byd 35 NM blo 8,300'

TAC AZM unusable:

005°-035° byd 18 NM blo 6,800'
035°-065° byd 25 NM blo 6,000'
080°-095° byd 30 NM blo 6,000'
095°-150° byd 18 NM blo 6,000'
150°-170° byd 20 NM blo 7,000'
170°-190° byd 25 NM blo 9,000'
190°-205° byd 20 NM blo 7,000'
205°-265°
315°-330° byd 33 NM blo 6,200'
330°-345° byd 20 NM blo 6,200'
345°-005° byd 35 NM blo 8,300'

DME unusable:

005°-035° byd 18 NM blo 6,800'
035°-065° byd 25 NM blo 6,000'
080°-095° byd 30 NM blo 6,000'
095°-150° byd 18 NM blo 6,000'
150°-170° byd 20 NM blo 7,000'
170°-190° byd 25 NM blo 9,000'
190°-245° byd 20 NM blo 7,000'
245°-260° byd 25 NM blo 7,500'
315°-330° byd 33 NM blo 6,200'
330°-345° byd 20 NM blo 6,200'
345°-005° byd 35 NM blo 8,300'
