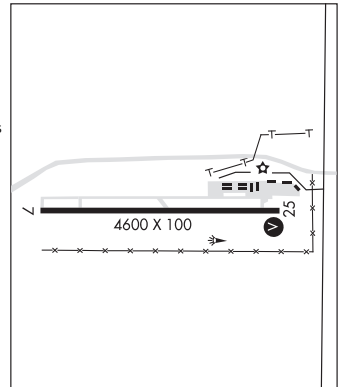


**LOMPOC** (LPC)(KLPC) 2 N UTC-8(-7DT) N34°39.94' W120°28.05'  
 88 B TPA-901(813) NOTAM FILE LPC  
**RWY 07-25:** H4600X100 (ASPH) S-17 MIRL

**LOS ANGELES**  
 L-3D, 4F, 7A  
 IAP

**RWY 07:** Brush.  
**RWY 25:** REIL. VASI(V4L)—GA 3.25° TCH 26'. Trees. Rgt tfc.  
**SERVICE:** S4 **FUEL** 100LL, JET A **OX** 1, 3 **LGT** ACTIVATE MIRL Rwy 07-25, VASI and REIL Rwy 25—CTAF.  
**AIRPORT REMARKS:** Attended 1600-0100Z±. Attended by FBO, phone 805-717-3558. Fuel avbl 24 hrs, self-service credit card only. Parachute Jumping. Ultralight and sky diving activity invof arpt dalgt hrs Fri-Sun. Deer on and invof arpt.



**AIRPORT MANAGER:** 805-875-8268  
**WEATHER DATA SOURCES:** AWOS-3PT 133.875 (805) 735-3075.  
**COMMUNICATIONS:** CTAF/UNICOM 122.7

Ⓡ SANTA BARBARA APP/DEP CON 124.15

Ⓡ L.A. CENTER APP/DEP CON 119.05

**CLEARANCE DELIVERY PHONE:** For CD ctc Los Angeles ARTCC at 661-575-2079.

**RADIO AIDS TO NAVIGATION:** NOTAM FILE HHR.

**GAVIOTA (L) VORTACW** 113.8 GVO Chan 85 N34°31.88' W120°05.47' 277° 20.3 NM to fld. 2616/16E.

VORTAC unusable:  
 117°-137° byd 35 NM  
 310°-095° byd 10 NM blo 8,500'  
 360°-095° byd 20 NM blo 12,500'

**LOMPOC** HLZ N34°28.10' W120°40.85'/149  
 AWOS-3 121.975

**LOS ANGELES**  
 H-4H, L-3D, 4F, 7A

**LONE PINE/DEATH VALLEY** (O26) 1 SE UTC-8(-7DT) N36°35.32' W118°02.96'  
 3710 B TPA-4510(800) NOTAM FILE RAL

**SAN FRANCISCO**  
 L-9A

**RWY 16-34:** H3991X60 (ASPH) S-8 MIRL  
**RWY 16:** Tree.  
**RWY 34:** Fence. Rgt tfc.  
**RWY 13-31:** 2391X90 (DIRT) 0.8% up NW  
**RWY 13:** Thld dsplcd 530'. Trees. Rgt tfc.  
**RWY 31:** Fence.

**SERVICE:** **FUEL** 100LL, JET A **LGT** Arprt bcn OTS indef. ACTIVATE MIRL Rwy 16-34 and bcn—CTAF.  
**AIRPORT REMARKS:** Attended irregularly. Fuel 100LL avbl 24 hrs by credit card. Fuel A ltd; must make prior arrangements with fuel provider. Tower located 2700' northwest Rwy 16 apch end (136 AGL) 3717 MSL, unlighted. Pilots be on alert to possible wind shear over trees while on apch Rwy 16 with SE winds 15 knot or greater. Rwy 13-31 restricted to gliders only except PPR—CTAF. Hang glider activity invof arpt. Helicopter tfc apch arprt from E along twy to helipad. Rwy 13 and Rwy 31 no numbers, thlds and dsplcd thld Rwy 13 marked with tires painted white, white R's both ends of rwy left side.

**AIRPORT MANAGER:** 760-872-2971  
**WEATHER DATA SOURCES:** AWOS-3 118.25 (760) 876-4014.  
**COMMUNICATIONS:** CTAF/UNICOM 122.8

**BISHOP RCO** 122.6 (N) (RIVERSIDE RADIO)  
**RAND MOUNTAIN RCO** 122.4 (S) (RIVERSIDE RADIO)

**CLEARANCE DELIVERY PHONE:** For CD ctc Joshua Apch at 661-277-3843.

**RADIO AIDS TO NAVIGATION:** NOTAM FILE BIH.

**BISHOP (T) VORW/DME** 109.6 BIH Chan 33 N37°22.62' W118°21.99' 147° 49.6 NM to fld. 4117/15E.  
 VOR/DME unusable:  
 360°-105° byd 18 NM

• • • • •  
**HELIPAD H1:** H30X30 (ASPH)