

## CALIPATRIA

**CLIFF HATFIELD MEML** (CLR)(KCLR) 1 NW UTC-8(-7DT) N33°07.88' W115°31.28'

LOS ANGELES

-182 TPA—618(800) NOTAM FILE SAN

L-41

**RWY 08-26:** H3423X50 (ASPH) S-12

IAP

**RWY 08:** Thld dspclcd 120'. Road.

**RWY 26:** Thld dspclcd 229'. Road. Rgt tfc.

**AIRPORT REMARKS:** Unattended. Lgtd flagpole 800' SE of arprt, pole on S side of Rwy 08-26 at E end. Ultralight activity on and invof arprt. Parallel taxiway clsd indefinitely.

**AIRPORT MANAGER:** 760-348-4144

**COMMUNICATIONS:** CTAF 122.9

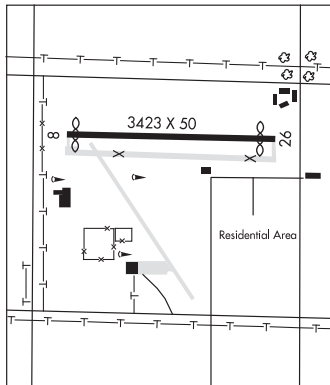
Ⓡ **L.A. CENTER APP/DEP CON** 128.6

**CLEARANCE DELIVERY PHONE:** For CD ctc Los Angeles ARTCC at 661-575-2079.

**RADIO AIDS TO NAVIGATION:** NOTAM FILE IPL.

**IMPERIAL (H) (H) VORTAC** 115.9 IPL Chan 106 N32°44.93'

W115°30.51' 344° 22.9 NM to fld. -18/14E.



**CAMARILLO** (CMA)(KCMA) 3 W UTC-8(-7DT) N34°12.83' W119°05.66'

LOS ANGELES

77 B TPA—See Remarks NOTAM FILE CMA

COPTER

**RWY 08-26:** H6013X150 (ASPH-CONC-RFSC) S-50, D-80, 2S-102, 2D-125 MIRL

H-4H, L-3E, 4G, 7B

**RWY 08:** REIL. PAPI(P4L)—GA 3.0° TCH 48'. Rgt tfc.

IAP, AD

**RWY 26:** REIL. PAPI(P4L)—GA 3.0° TCH 48'.

**SERVICE:** S4 **FUEL** 100LL, JET A **OX 2** **LGT** When twr clsd **ACTIVATE** MIRL Rwy 08-26, REIL Rwy 08 and Rwy 26 and PAPI Rwy 08 and Rwy 26—CTAF.

**NOISE:** Noise sensitive all quadrants practice noise abatement/fly quiet/procedures.

**AIRPORT REMARKS:** Attended 1500-0700Z†. Fuel avbl 24 hrs self serve. Parachute Jumping. Wildlife on and invof arprt. TPA—877(800) single engine, 1077(1000) multiengine and jets. Be alert to high performance military acct ops invof arprt. Mountain 1173' MSL, beginning 5 miles from east end Rwy 26. Mountain 1814' MSL 5 miles to east-southeast of AER 26. No formation tkfs or lrgs. No tkfs btn 0800-1300Z† (without prior permission). Upon arrival ctc FBO or arprt ops 805-947-6803 for assistance. Helicopter training pads to the north of Twy B and Rwy 08-26. NSTD object free area east end of Twy F, impaired wing clnc, for acct with wingspan of 56' to 80'. Landing fee for acct over 12,500 lbs. Ultralight activity southwest quadrant of arprt. No lrgs, taxiing or tkfs on chevroned area east of Rwy 26 thld.

**AIRPORT MANAGER:** 805-388-4372

**WEATHER DATA SOURCES:** ASOS 126.025 (805) 384-9294.

**COMMUNICATIONS:** CTAF 128.2 ATIS 126.025 805-484-3351 **UNICOM** 122.95

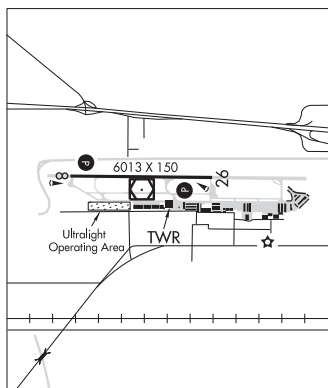
Ⓡ **POINT MUGU APP/DEP CON** 124.7 (1500-0700Z†)

Ⓡ **L.A. CENTER APP/DEP CON** 135.5 (0700-1500Z†)

**TOWER** 128.2 (1500-0500Z†) **GND CON** 121.8 **CLNC DEL** 121.8

**POINT MUGU CLNC DEL** 120.75 (0500-0700Z†)

**AIRSPACE:** CLASS D svc 1500-0500Z†; other times CLASS G.



CONTINUED ON NEXT PAGE

CONTINUED FROM PRECEDING PAGE

RADIO AIDS TO NAVIGATION: NOTAM FILE CMA.

(L) (L) VOR/DME 115.8 CMA Chan 105 N34°12.75' W119°05.66' at fld. 63/15E.

VOR unusable:

046°-245° byd 20 NM blo 14,000'

276°-300° byd 20 NM blo 14,000'

301°-045°

DME unusable:

046°-245° byd 20 NM blo 14,000'

276°-300° byd 20 NM blo 14,000'

301°-045°

COMM/NAV/WEATHER REMARKS: For after hrs IFR Clnc Del ctc Los Angeles ARTCC 661-575-2052.

**CAMERON PARK** (061) 0 N UTC-8(-7DT) N38°41.04' W120°59.25'  
1287 TPA—2301(1014) NOTAM FILE RIU

SAN FRANCISCO

L-26, 3A

RWY 13-31: H4051X50 (ASPH) MIRL 0.5% up NW

RWY 13: Thld dspclcd 193'. Tree.

RWY 31: PVASI(P SIL)—GA 6.0° TCH 18'. Thld dspclcd 1509'. Tree.

SERVICE: S4 FUEL 100LL LGT ACTIVATE MIRL Rwy 13-31—CTAF.

NOISE: Noise abatement procedures call arpt manager 530-676-8316.

AIRPORT REMARKS: Attended Mon-Fri 1600-0100Z $\ddagger$ . Fuel avbl continuously by credit card. Migratory geese invof arpt. Do not confuse parl residential streets on both sides of arpt with the rwy. Rwy 13-31 restricted to use by acft with less than a maximum certificated gross weight of 12,500 pounds and wingspan less than 50'. Helicopter parking not authorized. 1597' hill unlgtd 0.5 NM SE of arpt. Rwy 13-31 west side 60' gates in perimeter fencing to provide access to residential area for residents and invited guests.

AIRPORT MANAGER: 530-676-8316

WEATHER DATA SOURCES: AWOS-1 120.0 (530) 677-5392.

COMMUNICATIONS: CTAF/UNICOM 123.05

CLEARANCE DELIVERY PHONE: For CD ctc NorCal Apch at 916-361-6874.

RADIO AIDS TO NAVIGATION: NOTAM FILE RIU.

HANGTOWN (L) (L) VOR/DME 115.5 HNW Chan 102 N38°43.48'

W120°44.96' 241° 11.5 NM to fld. 2604/17E.

VOR unusable:

200°-260° byd 15 NM blo 9,500'

320°-350° byd 10 NM blo 6,000'

320°-350° byd 25 NM blo 14,500'

