

## PLEASANTON

LINN CO (1KS) 1 E UTC-6(-5DT) N38°10.41' W94°41.42'

KANSAS CITY

860 NOTAM FILE ICT

L-10J

RWY 18-36: H3000X60 (ASPH) MIRL 1.0% up N

RWY 18: Tree. Rgt tfc.

RWY 36: Trees.

SERVICE: S4 LGT ACTVT MIRL Rwy 18-36—CTAF.

AIRPORT REMARKS: Unattended. Wildlife on and invof rwy.

AIRPORT MANAGER: 913-731-3526

COMMUNICATIONS: CTAF/UNICOM 122.8

CLEARANCE DELIVERY PHONE: For CD ctc Kansas City ARTCC at 913-254-8508.

## PRAIRIE VIEW

VAN PAK (ØP1) 0 E UTC-6(-5DT) N39°49.90' W99°34.11'

WICHITA

2213 NOTAM FILE ICT

RWY 16-34: 2590X128 (TURF)

RWY 16: Crops.

RWY 34: Road.

AIRPORT REMARKS: Unattended. No phone at arpt.

AIRPORT MANAGER: 785-973-2252

COMMUNICATIONS: CTAF 122.9

CLEARANCE DELIVERY PHONE: For CD ctc Denver ARTCC at 303-651-4257.

PRATT RGNL (PTT)(KPTT) 4 N UTC-6(-5DT) N37°42.15' W98°44.82'

WICHITA

1953 B NOTAM FILE PTT

H-5B, L-10H, 15D

RWY 17-35: H5500X100 (CONC) S-30, D-42 PCN 14 R/C/X/U MIRL

IAP

RWY 17: REIL. PAPI(P4L)—GA 3.0° TCH 38'.

RWY 35: REIL. PAPI(P4L)—GA 3.0° TCH 40'.

SERVICE: S4 FUEL 100LL, JET A LGT Dusk-Dawn. ACTVT REIL Rwy 17 and 35; PAPI Rwy 17 and 35—CTAF. MIRL Rwy 17-35 preset on low intst, to incr intst and ACTVT—CTAF.

AIRPORT REMARKS: Attended 1400Z±-SS. FBO oprs dalgt hrs. For fuel after hours call 620-672-1774. No public telephone avbl. Watch for migrating birds on and invof arpt. Do not mistake lgtd cattle pens for lgtd rwys. Twy lgtd. Rwy 17 is calm wind rwy.

AIRPORT MANAGER: 620-672-7571

WEATHER DATA SOURCES: AWOS-3PT 118.725 (620) 672-2793.

COMMUNICATIONS: CTAF/UNICOM 122.8

Ⓡ KANSAS CITY CENTER APP/DEP CON 118.8

CLEARANCE DELIVERY PHONE: For CD ctc Kansas City ARTCC at 913-254-8508.

RADIO AIDS TO NAVIGATION: NOTAM FILE HUT.

HUTCHINSON (VL) (L) VORW/DME 116.8 HUT Chan 115 N37°59.82' W97°56.05' 242° 42.5 NM to fld. 1542/4E.

VOR unusable:

044°-051° byd 40 NM

140°-143° byd 40 NM

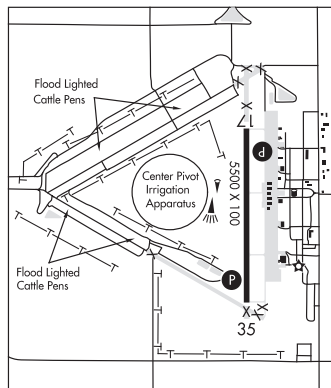
144°-154° byd 40 NM blo 4,500'

144°-154° byd 47 NM

195°-217° byd 16 NM blo 5,000'

195°-217° byd 33 NM blo 8,000'

200°-217° byd 58 NM



## QUINTER

GOVE CO (1QK) 2 S UTC-6(-5DT) N39°02.32' W100°14.03'

WICHITA

2637 B NOTAM FILE ICT

L-10H

RWY 17-35: H4000X60 (CONC) S-30, D-30 MIRL 0.6% up N

IAP

RWY 17: Rgt tfc.

SERVICE: LGT ACTIVATE MIRL Rwy 17-35—CTAF.

AIRPORT MANAGER: 785-299-0219

COMMUNICATIONS: CTAF 122.9

Ⓡ DENVER CENTER APP/DEP CON 132.7

CLEARANCE DELIVERY PHONE: For CD ctc Denver ARTCC at 303-651-4257.

RENNER FLD/GOODLAND MUNI (See GOODLAND on page 103)