

CHEFORNAK (CFK)(PACK) 1 S UTC-9(-8DT) N60°08.21' W164°16.74'

BETHEL

54 B NOTAM FILE ENA

RWY 16-34: 3230X60 (GRVL) MIRL 0.4% up S

SERVICE: LGT ACTIVATE beacon and MIRL Rwy 16-34—CTAF.

AIRPORT REMARKS: Unattended. Rwy condition not monitored; recommend visual inspection prior to using. Pilots are advised to self-announce on CTAF prior to Idg, 10 NM on approach. Rwy may be soft when wet. Rwy 16-34 NSTD markings, rwy edged with cones and lights. Road parallels the west side of Rwy 16-34. Construction equip may be using this road. 6-8 in dips and irregular surfaces full length of rwy.

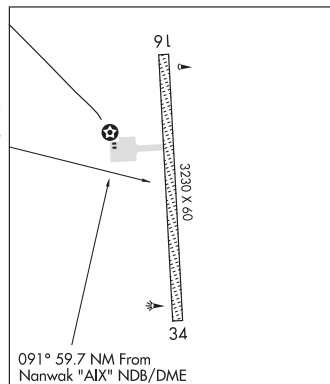
AIRPORT MANAGER: 907-543-2495

COMMUNICATIONS: CTAF 122.7

RADIO AIDS TO NAVIGATION: NOTAM FILE BET.

BETHEL (H) (H) VORTACW 114.1 BET Chan 88 N60°47.09'
W161°49.46' 229° 82.7 NM to fld. 105/14E.

COMM/NAV/WEATHER REMARKS: For a toll free call to Kenai FSS dial
1-866-864-1737.

**CHENA HOT SPRINGS** (AK13) PVT 0 E UTC-9(-8DT) N65°03.11' W146°02.85'

FAIRBANKS

1195 NOTAM FILE Not insp.

L-3B, 4J

RWY 08-26: 3000X60 (GRVL)

RWY 08: Hill.

RWY 26: Tree.

AIRPORT REMARKS: Unattended. PPR call 907-451-8104 extn 1909 or 1905. Be alert strong crosswinds. Rwy not maintained and condition not monitored. Loose 3" rocks on sfc and some 12" ruts along rwy. Windssock may be unreliable.

Recommend visual inspection prior to use. Rapidly rising terrain all quadrants surrounding arpt. Animals and machinery on rwy. Ultralights prohibited, arpt not for commercial use; no hunting and no passenger pickup or drop off allowed. Rwy 08 26 slopes downhill 3% from E to W. Rwy 08 thlds marked with orange cones. Rwy 08 26 ends marked with orange panels.

AIRPORT MANAGER: (907) 451-8104

COMMUNICATIONS: CTAF 122.9

SUAS 125.3 126.3 (1-800-758-8723)

COMM/NAV/WEATHER REMARKS: For a toll free call to Fairbanks FSS dial 1-866-248-6516.

CHENA MARINA (See FAIRBANKS on page 105)**CHENA RIVER SPB** (See FAIRBANKS on page 106)**CHENA** N64°50.32' W147°29.70' NOTAM FILE FAI.

FAIRBANKS

NDB (HW) 257 CUN 245° 9.4 NM to Fairbanks Intl. 462/17E.

H-1B, L-3A, 3D, 4J